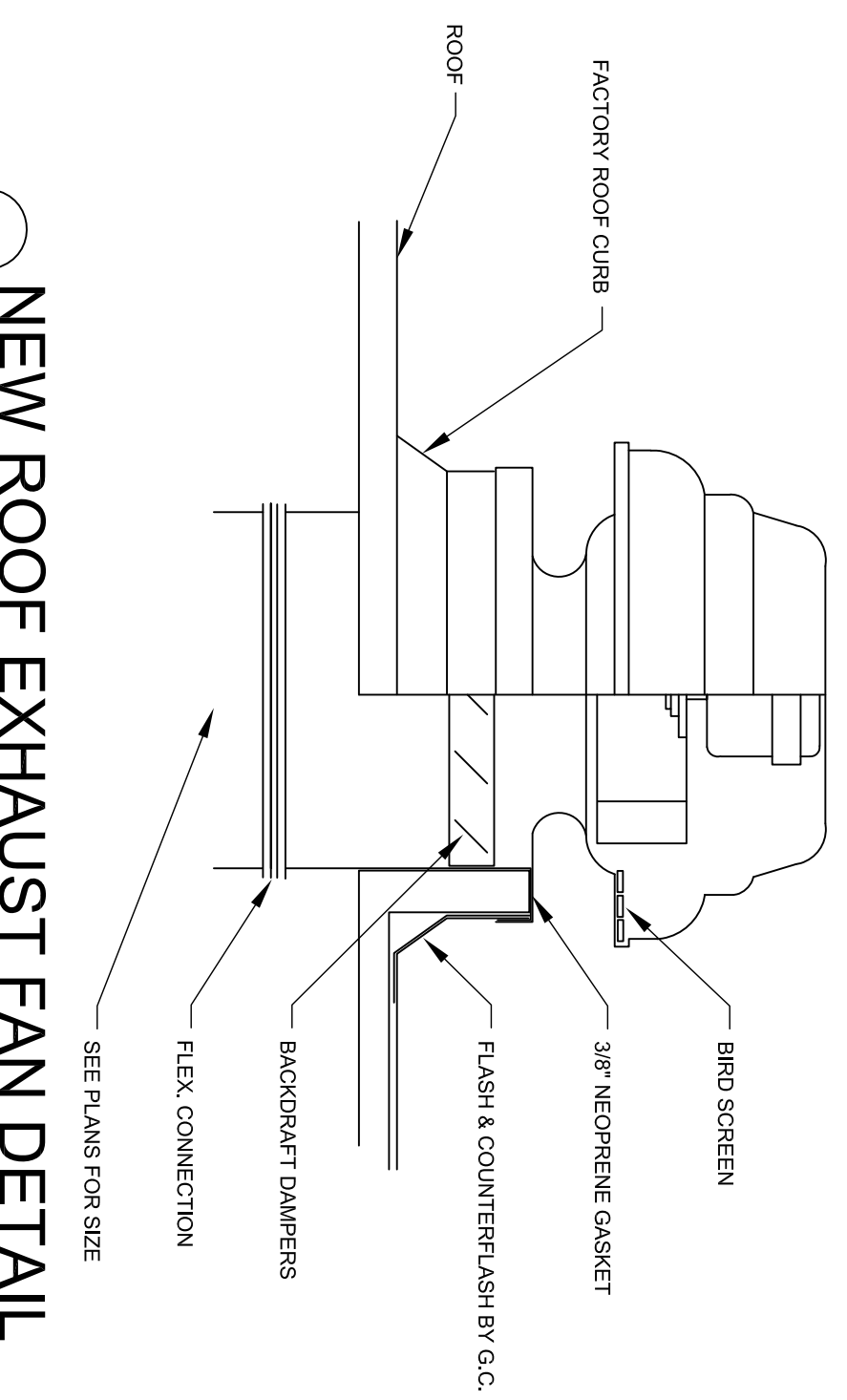
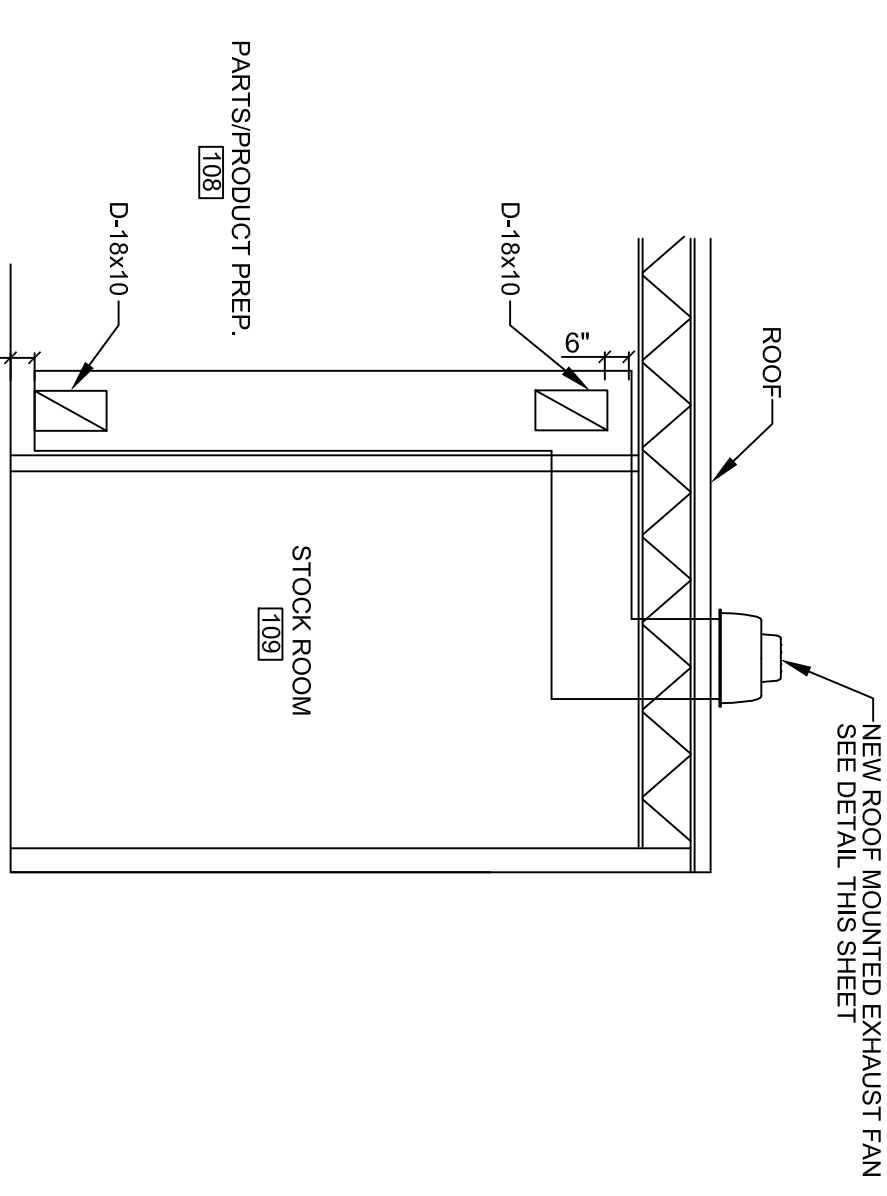


THIS DOCUMENT IS ISSUED FOR BIDDING PURPOSES ONLY. THE GENERAL CONTRACTOR AND HIS/HERS SUBCONTRACTORS SHALL BE RESPONSIBLE FOR OBTAINING ALL NECESSARY APPROVED AND DATED CONTRACT DRAWINGS JURISDICTION FOR CONSTRUCTION PURPOSES.

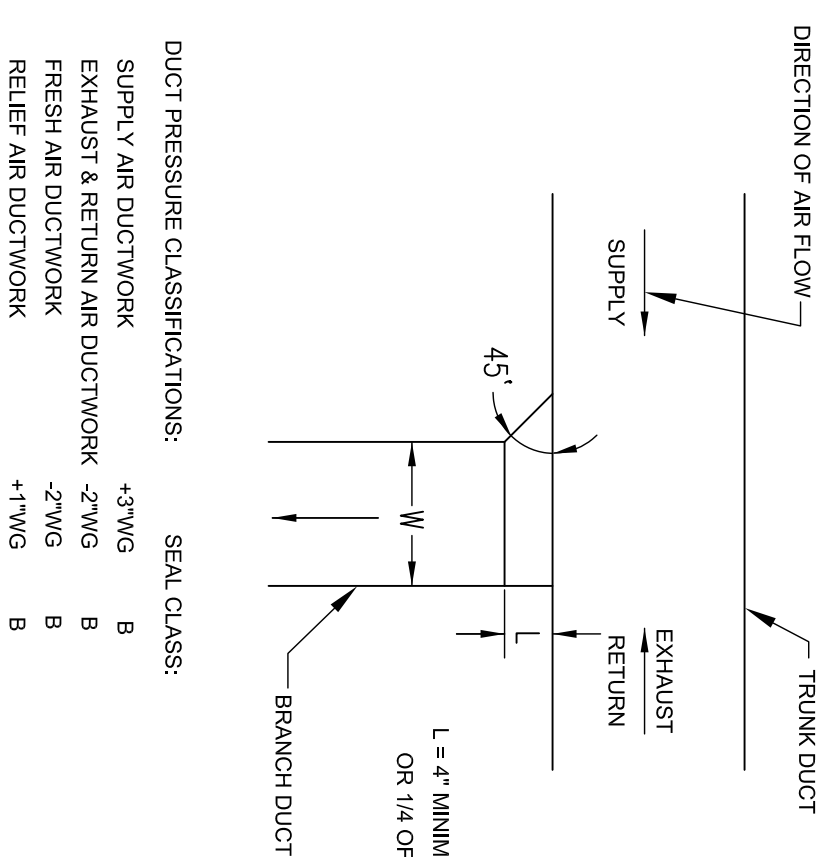
BY: HD ENGINEERING & DESIGN, INC.
 ISSUE DATE: 4 FEBRUARY 2011



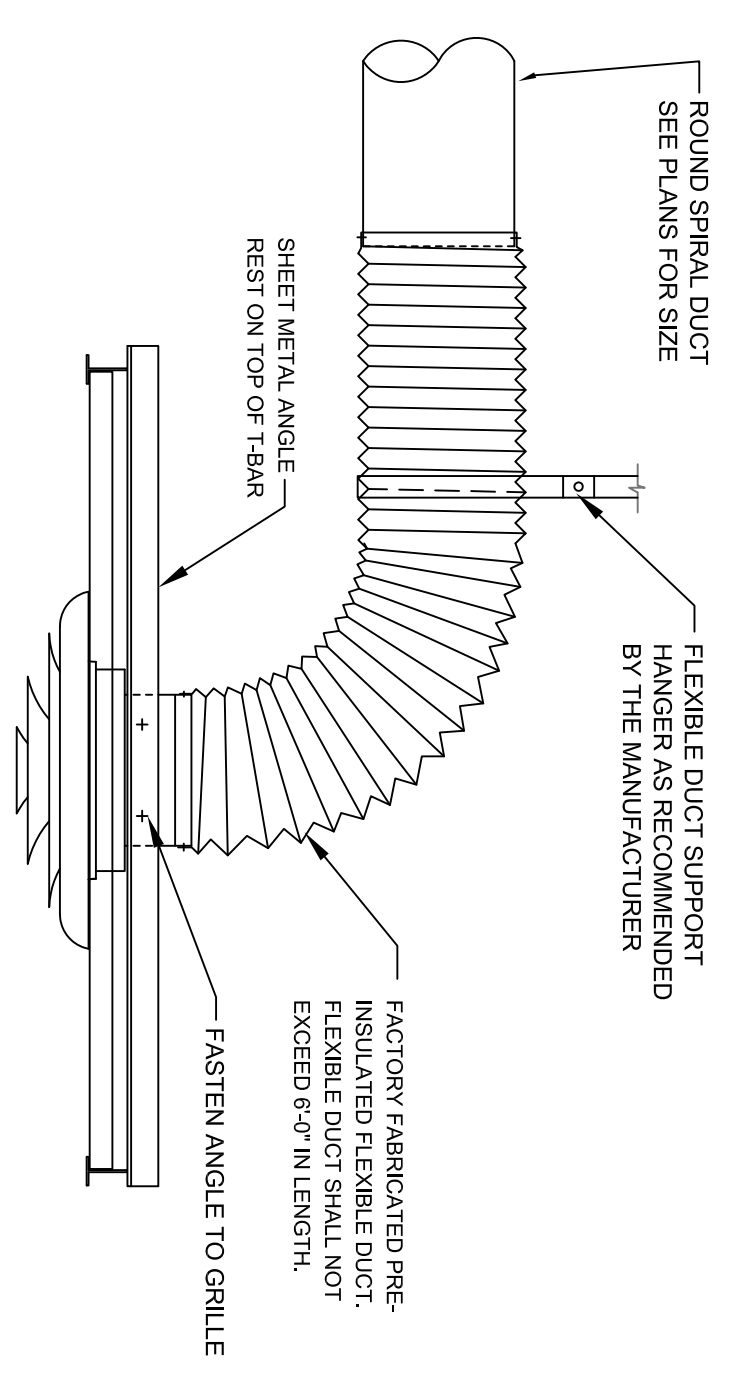
1 NEW ROOF EXHAUST FAN DETAIL
 SCALE: NONE
 PARTS/PRODUCT PREP ONLY



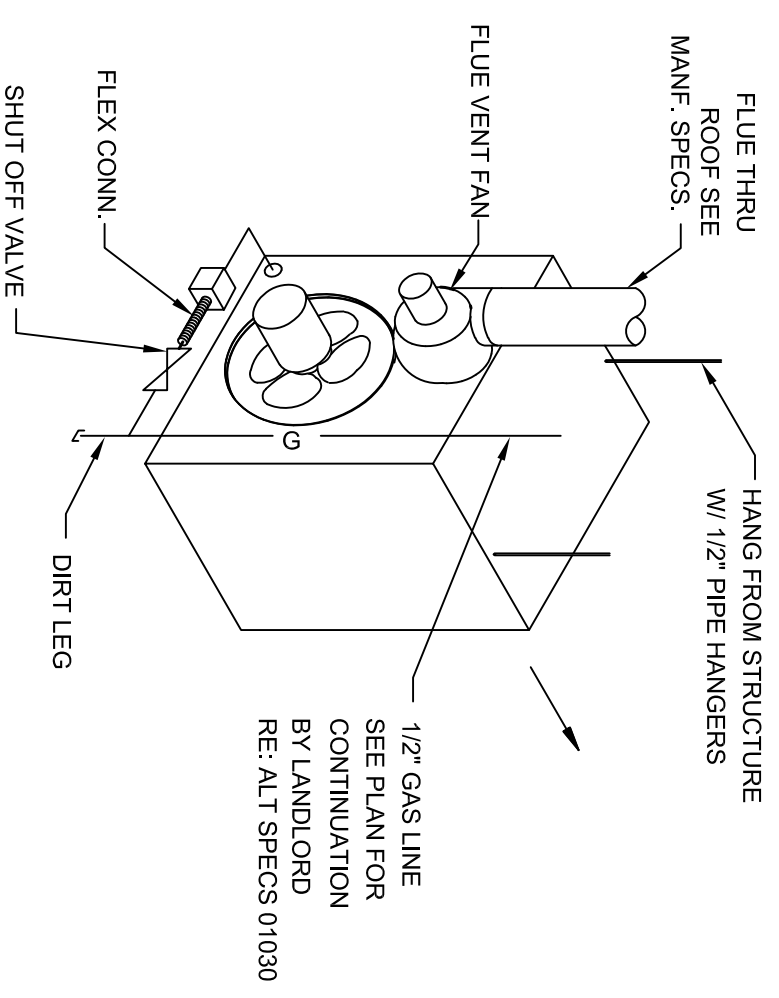
2 PRODUCT PREP EXHAUST RISER
 NO SCALE



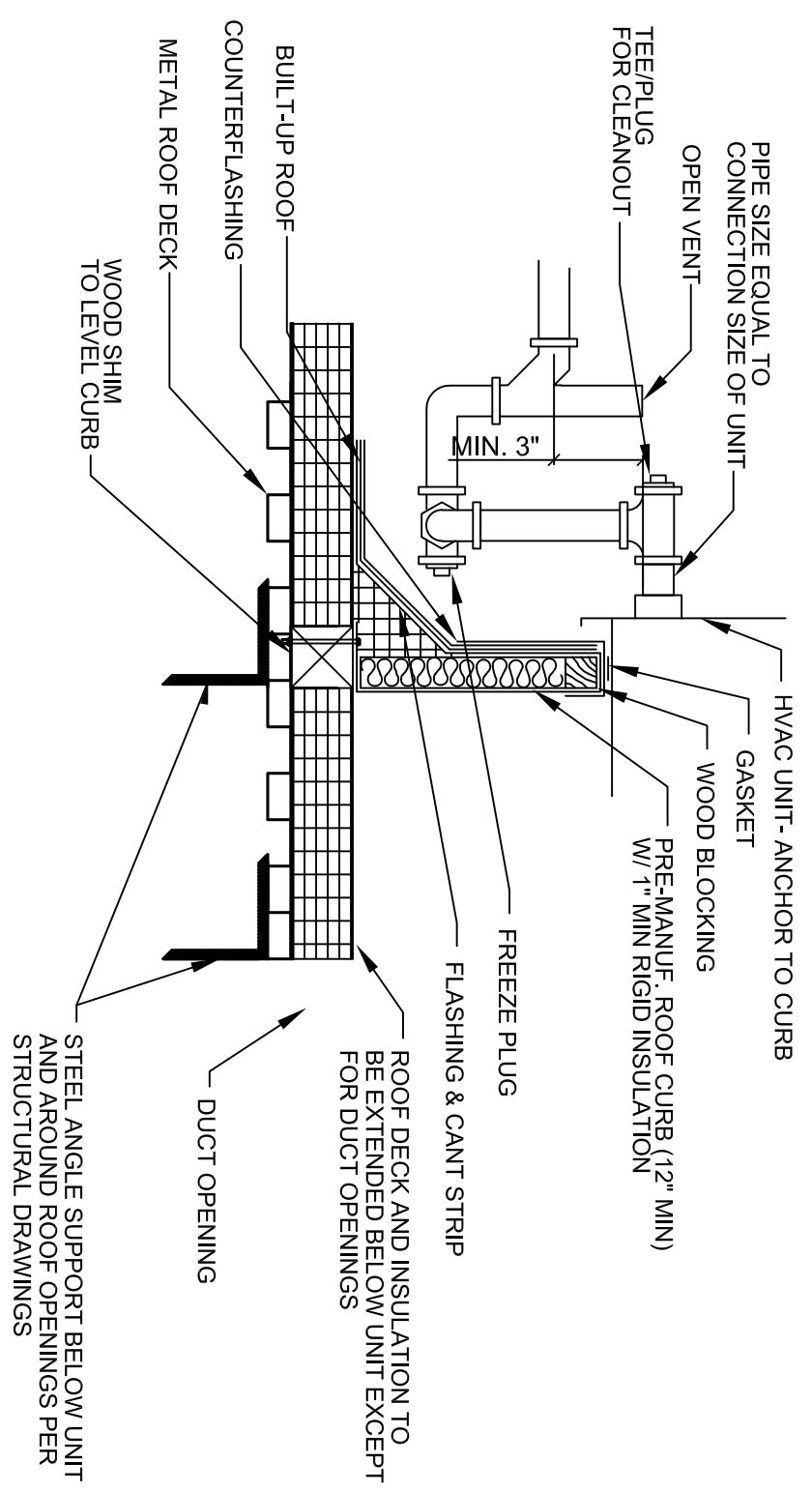
3 LOW VELOCITY BRANCH CONNECTION DETAIL
 SCALE: NONE



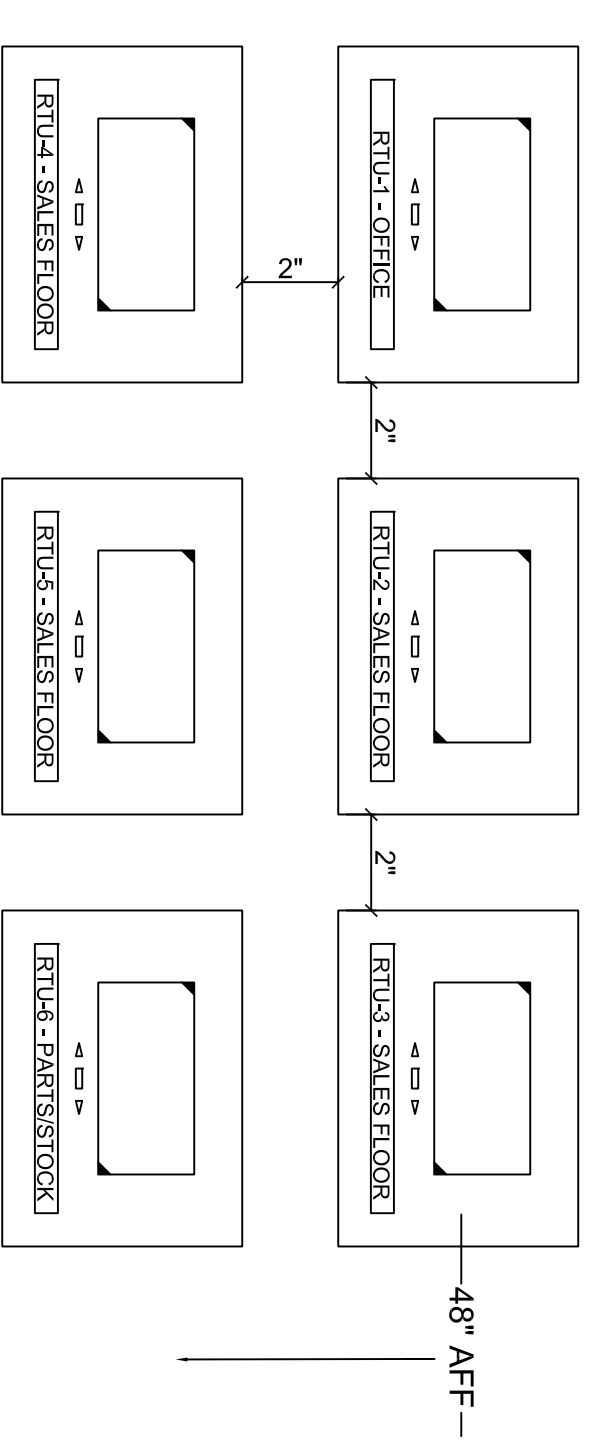
4 DIFFUSER SUSPENSION DETAIL
 NO SCALE



5 EXISTING UNIT HEATER DETAIL - GAS FIRED
 SCALE: NONE
 LANDLORD PROVIDED. SHALL COMPLY WITH DETAIL RE: ARCH. SPEC. SECTION 01030 FOR ALTERNATE WORK



6 ROOF CURB DETAIL
 SCALE: NONE
 LANDLORD PROVIDED. SHALL COMPLY WITH DETAIL RE: ARCH. SPEC. SECTION 01030 FOR ALTERNATE WORK



7 THERMOSTAT ARRANGEMENT DETAIL
 SCALE: NONE

Interior Tenant Finish



12120 West 95th Street Lenexa, Kansas 66215

Project Number: 3016
 Date: 4 FEB. 2011
 Revised: CLS
 Drawn By: M 3
 Sheet Number: M 3
 Sheet Title: MECHANICAL DETAILS

HD Engineering & Design, Inc.
 10763 SW Cambridge Ln., St. 104
 6100 Northwest, Suite 200
 Portland, OR 97209
 971-646-0901
 971-646-0901